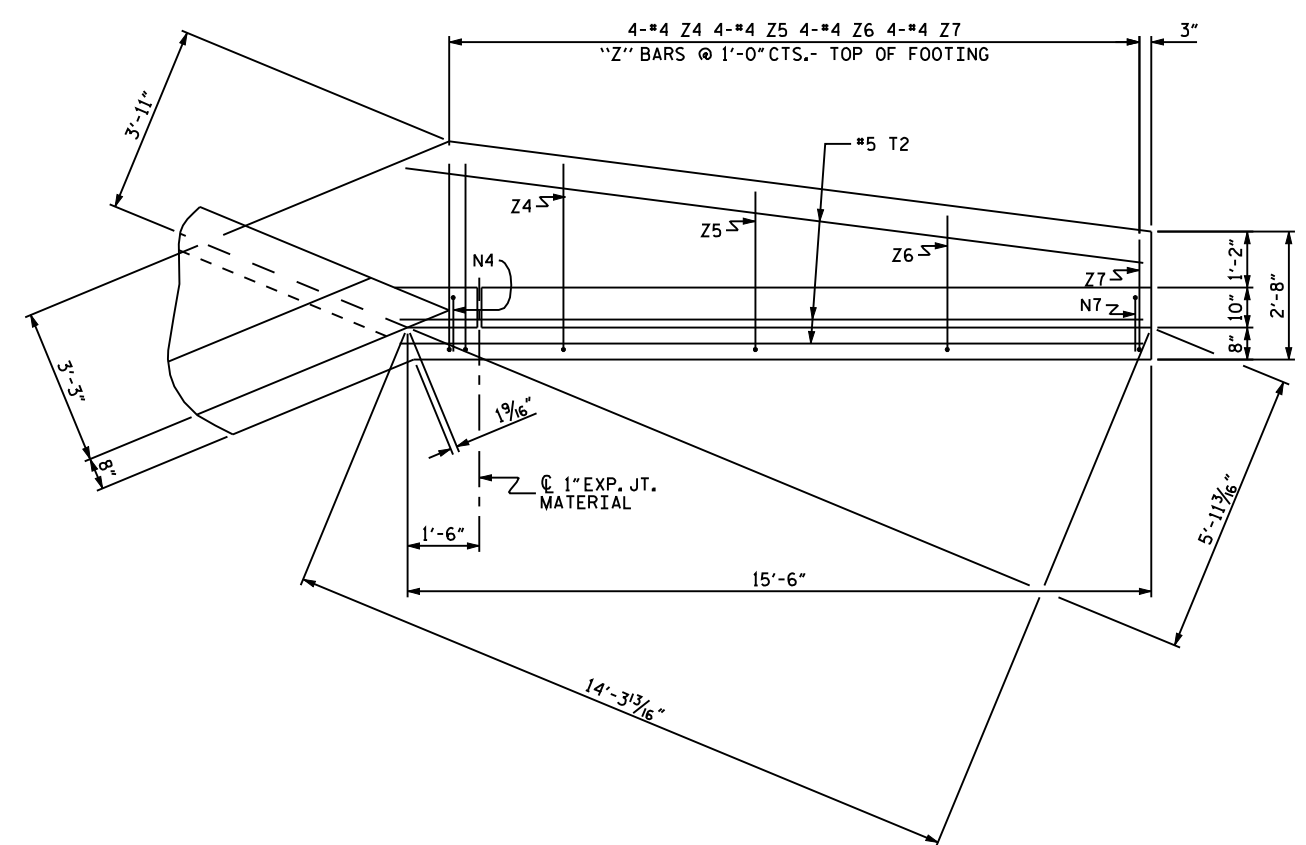
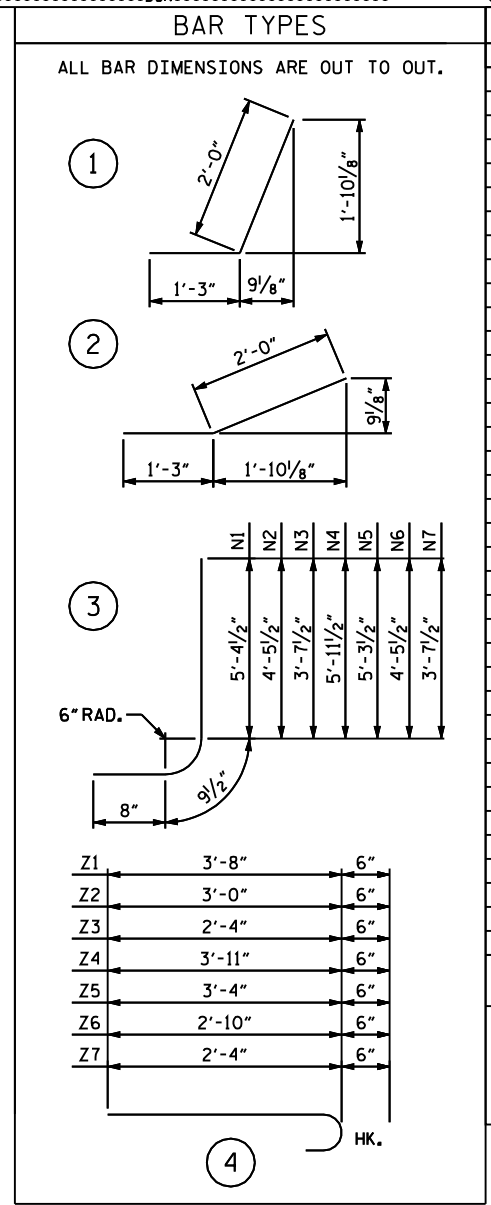


PLAN W2

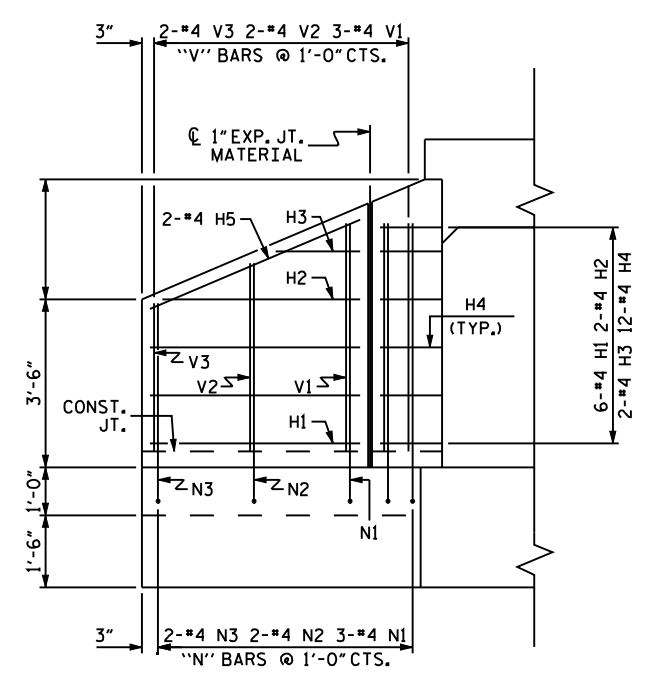


PLAN W1

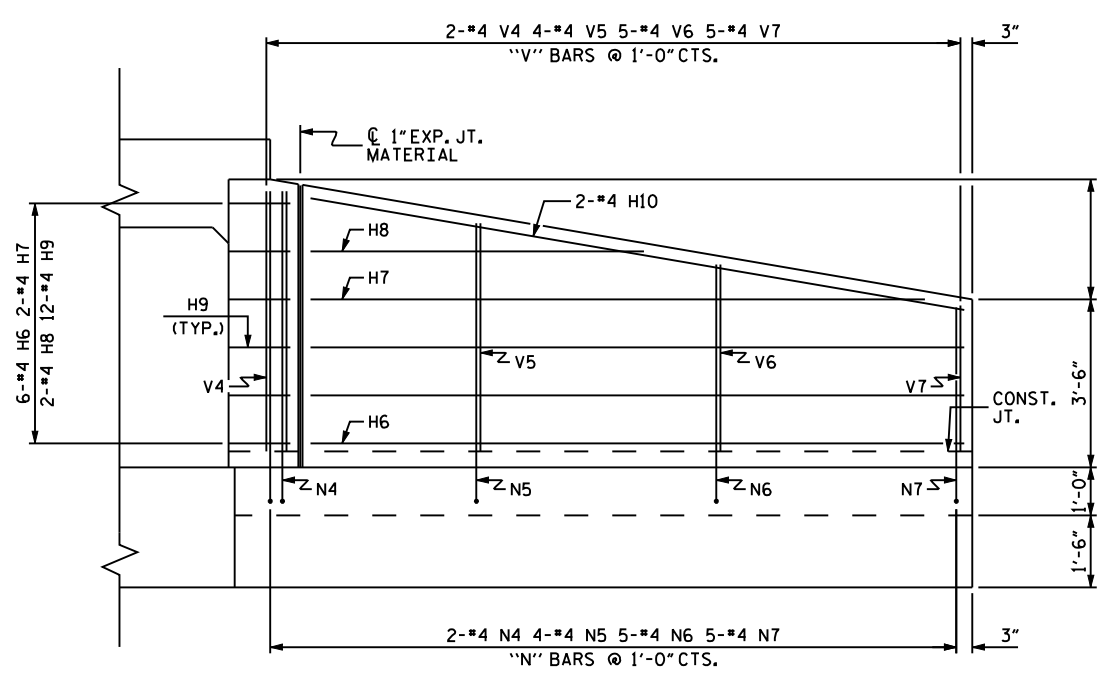


Z1	3'-8"	6"
Z2	3'-0"	6"
Z3	2'-4"	6"
Z4	3'-11"	6"
Z5	3'-4"	6"
Z6	2'-10"	6"
Z7	2'-4"	6"

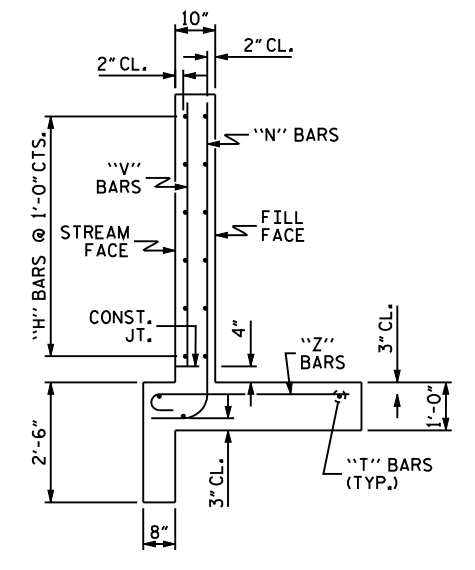
BILL OF MATERIAL					
BAR NO.	SIZE	TYPE	LENGTH	WEIGHT	
H1	12	#4	STR	4'-4"	35
H2	4	#4	STR	4'-1"	11
H3	4	#4	STR	1'-9"	5
H4	24	#4	1	3'-3"	52
H5	4	#4	STR	4'-9"	13
H6	12	#4	STR	13'-7"	109
H7	4	#4	STR	12'-9"	34
H8	4	#4	STR	6'-11"	18
H9	24	#4	2	3'-3"	52
H10	4	#4	STR	13'-9"	37
N1	6	#4	3	6'-10"	27
N2	4	#4	3	5'-11"	16
N3	4	#4	3	5'-1"	14
N4	4	#4	3	7'-5"	20
N5	8	#4	3	6'-9"	36
N6	10	#4	3	5'-11"	40
N7	10	#4	3	5'-1"	34
T1	6	#5	STR	6'-3"	39
T2	6	#5	STR	15'-6"	97
V1	6	#4	STR	4'-9"	19
V2	4	#4	STR	3'-11"	10
V3	4	#4	STR	3'-1"	8
V4	4	#4	STR	5'-5"	14
V5	8	#4	STR	4'-9"	25
V6	10	#4	STR	3'-10"	26
V7	10	#4	STR	3'-0"	20
Z1	6	#4	4	4'-2"	17
Z2	4	#4	4	3'-6"	9
Z3	4	#4	4	2'-10"	8
Z4	8	#4	4	4'-5"	24
Z5	8	#4	4	3'-10"	20
Z6	8	#4	4	3'-4"	18
Z7	8	#4	4	2'-10"	15
REINFORCING STEEL				922	LBS
FOR 4 WINGS					
CLASS A CONCRETE					
4 WINGS				14.8	CY
2 HEADWALLS					CY
2 END CURTAIN WALLS					CY
TOTAL					CY



ELEVATION W2



ELEVATION W1



TYPICAL WING SECTION

PROJECT NO. _____
 _____ COUNTY
 STATION: _____

STATE OF NORTH CAROLINA
 DEPARTMENT OF TRANSPORTATION
 RALEIGH
STANDARD WINGS
 FOR
 CONCRETE BOX CULVERT
 H = 5'-0" SLOPE = 2:1
 45° OR 135° SKEW

ASSEMBLED BY :	DATE :
CHECKED BY :	DATE :
DRAWN BY : CCJ	01/00
CHECKED BY : RWW	03/00

REVISIONS						SHEET NO.
NO.	BY:	DATE:	NO.	BY:	DATE:	
1			3			TOTAL SHEETS
2			4			